

## Waste & Recycle

Heavy-Duty, Soft-Close, Bottom Mount  
SCB Series



**SCB15-2-35PT**  
(with optional PDMKTPT Door Bracket Kit)

## *Soft-Close Bottom-Mount Waste & Recycling Bins*

*(door-mount optional)*

### Product Features

- **Heavy-duty**, full-extension ball bearing slides with Soft-Close technology and 1" over-travel
- Specialized wire management systems hold Bins and optional Lids securely in place
- Easy installation with only four screws into heavy-duty mounting straps
- Bottom-mount units provide stability and are pre-assembled, for faster installation.
- KV eco-friendly Frosted Nickel finish or White
- Easy to attach handle
- Optional Door-Mount Bracket



**SCB10-1-35PT**  
(with optional QT-35-LP-PT Lid)

## Waste & Recycle

Heavy-Duty, Soft-Close, Bottom Mount  
SCB Series



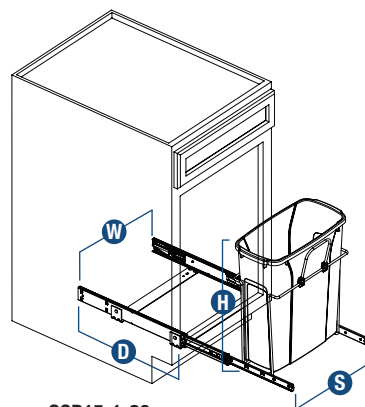
# Soft-Close Bottom-Mount Waste & Recycling Bins

(door-mount optional)

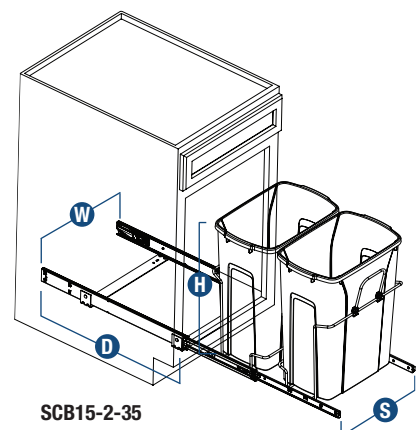
Stock #	Sliding Assembly Width <b>S</b>	Assembled Product Dimensions			Finish [Hardware/Bin]	Capacity per Bin	Number of Bins	Units per Carton	Weight per Carton
		<b>W</b> Width	<b>H</b> Height*	<b>D</b> Depth					
<b>SINGLE BIN UNITS</b>									
SCB9-1-20PT	8-3/8" [213 mm]	8-3/8" [213 mm]	17-5/16" [440 mm]	20-1/8" [511 mm]	Frosted Nickel/Platinum	20 Qt.	1	1	11.5 lbs. [5.2 kg.]
SCB9-1-20WH	8-3/8" [213 mm]	8-3/8" [213 mm]	17-5/16" [440 mm]	20-1/8" [511 mm]	White/White	20 Qt.	1	1	11.5 lbs. [5.2 kg.]
SCB10-1-35PT	9-3/8" [238 mm]	9-3/8" [238 mm]	18-13/16" [478 mm]	20-1/8" [511 mm]	Frosted Nickel/Platinum	35 Qt.	1	1	10.5 lbs. [4.8 kg.]
SCB10-1-35WH	9-3/8" [238 mm]	9-3/8" [238 mm]	18-13/16" [478 mm]	20-1/8" [511 mm]	White/White	35 Qt.	1	1	10.5 lbs. [4.8 kg.]
SCB12-1-50PT	11-3/8" [289 mm]	11-3/8" [289 mm]	22-7/8" [581 mm]	20-1/8" [511 mm]	Frosted Nickel/Platinum	50 Qt.	1	1	11.5 lbs. [5.2 kg.]
SCB12-1-50WH	11-3/8" [289 mm]	11-3/8" [289 mm]	22-7/8" [581 mm]	20-1/8" [511 mm]	White/White	50 Qt.	1	1	11.5 lbs. [5.2 kg.]
SCB15-1-20PT	14-3/8" [365 mm]	14-3/8" [365 mm]	17-5/16" [440 mm]	20-1/8" [511 mm]	Frosted Nickel/Platinum	20 Qt.	1	1	10.7 lbs. [4.9 kg.]
SCB15-1-20WH	14-3/8" [365 mm]	14-3/8" [365 mm]	17-5/16" [440 mm]	20-1/8" [511 mm]	White/White	20 Qt.	1	1	10.7 lbs. [4.9 kg.]
<b>DOUBLE BIN UNITS</b>									
SCB12-2-27WH	11-3/8" [289 mm]	11-3/8" [289 mm]	18-3/4" [476 mm]	22-7/16" [570 mm]	White/White	27 Qt.	2	1	14.0 lbs. [6.4 kg.]
SCB12-2-27PT	11-3/8" [289 mm]	11-3/8" [289 mm]	18-3/4" [476 mm]	22-7/16" [570 mm]	Frosted Nickel/Platinum	27 Qt.	2	1	14.0 lbs. [6.4 kg.]
SCB15-2-20PT	14-3/8" [365 mm]	14-3/8" [365 mm]	17-5/16" [440 mm]	20-1/8" [511 mm]	Frosted Nickel/Platinum	20 Qt.	2	1	18.1 lbs. [8.2 kg.]
SCB15-2-20WH	14-3/8" [365 mm]	14-3/8" [365 mm]	17-5/16" [440 mm]	20-1/8" [511 mm]	White/White	20 Qt.	2	1	18.1 lbs. [8.2 kg.]
SCB15-2-35PT	14-3/8" [365 mm]	14-3/8" [365 mm]	18-13/16" [478 mm]	23-1/8" [587 mm]	Frosted Nickel/Platinum	35 Qt.	2	1	19.7 lbs. [8.9 kg.]
SCB15-2-35WH	14-3/8" [365 mm]	14-3/8" [365 mm]	18-13/16" [478 mm]	23-1/8" [587 mm]	White/White	35 Qt.	2	1	19.7 lbs. [8.9 kg.]
<b>TRIPLE BIN UNITS</b>									
SCB15-3-20WH	14-3/8" [365 mm]	14-3/8" [365 mm]	17-9/16" [446 mm]	23-1/8" [587 mm]	White/White	20 Qt.	3	1	17.3 lbs. [7.8 kg.]
SCB15-3-20PT	14-3/8" [365 mm]	14-3/8" [365 mm]	17-9/16" [446 mm]	23-1/8" [587 mm]	Frosted Nickel/Platinum	20 Qt.	3	1	17.3 lbs. [7.8 kg.]
<b>FOUR BIN UNITS</b>									
SCB24-4-27WH	23-3/8" [593 mm]	23-3/8" [593 mm]	19" [482 mm]	22-1/2" [572 mm]	White/White	27 Qt.	4	1	18.8 lbs. [8.5 kg.]
SCB24-4-27PT	23-3/8" [593 mm]	23-3/8" [593 mm]	19" [482 mm]	22-1/2" [572 mm]	Frosted Nickel/Platinum	27 Qt.	4	1	18.8 lbs. [8.5 kg.]

\* If using lid, add 3/4".

30 lbs. maximum per bin, not to exceed 80 lbs. total weight. Not intended for bulk storage.



SCB15-1-20



SCB15-2-35



**KNAPE & VOGT**

2700 Oak Industrial Dr. NE  
Grand Rapids, MI 49505-6026 USA  
1.800.253.1561 | 616.459.3311  
Fax: 877.636.3290  
www.kv.com